



# Air nozzles

Air curtains  
Blowing off and out  
Cleaning  
Cooling  
Drying  
Reheating  
Transporting  
and many others...

Air nozzles



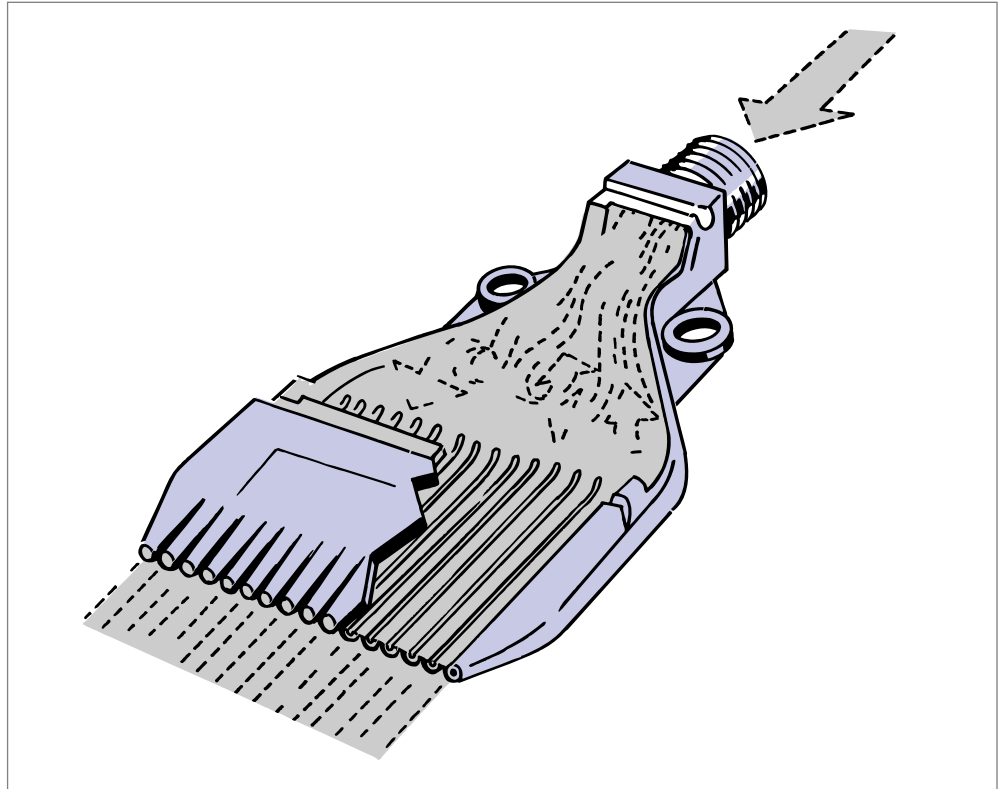
As a rule, any flat fan or solid stream nozzle can be operated with air instead of liquid. However, you'll obtain the best results using the nozzle designs we specially engineered for applications of compressed air or saturated steam. For further details, please refer to the next pages. In addition to air, various nozzle types are also suited for injecting saturated steam. Typical applications of Lechler air nozzles are, for instance, efficient blowing off and blowing out, cooling, drying or cleaning.

### Multi-channel air nozzles

In many industries and workshops compressed air has become an indispensable tool. Compressed air is needed for cleaning, blowing off, drying, conveying and for numerous other applications. Where uncontrolled compressed air is applied, very often annoying, high-frequency hiss noises arise, which may cause serious harm to hearing. These »noises« are produced by turbulences generated at the air outlet. Their intensity depends on the shape of the nozzle orifice and on the air pressure. This means: the better and stronger the air jet is supposed to be, the higher the health-injuring noise level and the higher the air consumption and its cost.

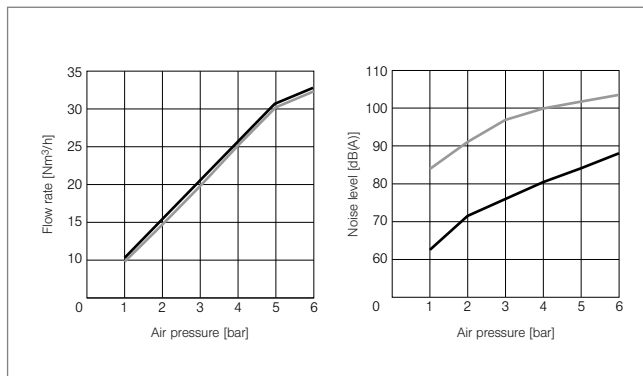
**The solution: Lechler multi-channel air nozzles, featuring a significantly reduced sound level, high blowing power and low air consumption.**

The performance of multi-channel air nozzles is based on partitioning the air inflow into single air jets. 16 air channels, arranged to ensure optimum flow conditions, provide for a particularly uniform, straight and powerful overall air jet.



### In comparison to single-hole air nozzles the advantages are as follows:

- Reduction of the noise level of up to 12 dB
- Low service air pressure with the same blowing power
- Lower air consumption
- Better blowing effect over a longer reach
- Lower operating costs








Comparison of a conventional, single-hole nozzle with the Lechler multi-channel round jet nozzle type 600.326

- Lechler multi-channel round jet nozzle
- Conventional single-hole nozzle



## Air nozzles

Flat fan nozzles for air	Series		Air consumption [m <sup>3</sup> /h] at p = 2 bar	Connection	Application/Design	Page
	600.130 600.283 600.484 600.493	<b>PARTICULARLY SILENT</b>	7,50 – 27,00	1/4" BSPP M12 x 1,25	Blowing off and blowing out, cleaning, drying, cooling, conveying with air. <b>Multi-channel flat fan nozzle.</b>	6.5
 	679		2,60 – 32,80	Assembly with 3/8" lock nut	Blowing off liquids, cooling, reheating, drying. <b>Easy nozzle changing.</b> <b>Simple jet alignment.</b>	6.6
	686		1,00 – 16,00	1/8" BSPT	Blowing off liquids, cooling, reheating, drying. <b>Tongue-type nozzle.</b>	6.7

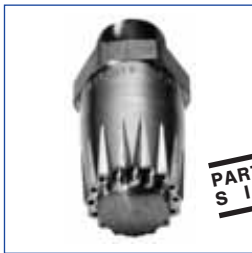



For more information please ask for our special brochure

»Nozzles and Accessories for Compressed Air«.





## Air nozzles

Solid stream nozzles for air	Series		Air consumption [m <sup>3</sup> /h] at p = 2 bar	Connection	Application/Design	Page
	600.326		15,00	1/4" BSPP M 12 x 1,25	Targeted blowing out and blowing off with the aid of air guns. <b>Multi-channel round jet nozzle, producing a powerful air jet with punctiform impact pattern.</b>	6.8
	600.388		8,60	1/8" BSPP M 12 x 1,25	Targeted blowing out and blowing off with the aid of air guns. <b>Multi-channel round jet nozzle. Compact design. Especially for blowing out of pocket holes.</b>	6.8
	544		1,00 – 16,00	1/8" BSPT 1/4" BSPT	Targeted blowing out and blowing off. <b>Powerful air jet with punctiform impact pattern.</b>	6.9
	540	240°	39,30 – 325,00	1/2" BSPP	Injection of steam into liquids, injection of compressed air into bulk goods, gas injection. <b>Multi-channel solid stream nozzle.</b>	6.10

**PARTICULARLY SILENT**

For more information please ask for our special brochure »Nozzles and Accessories for Compressed Air«.





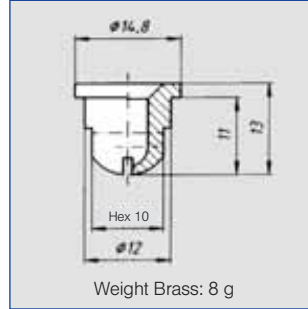


# Flat fan nozzles for air or saturated steam

## Series 679

**Particularly wide-angle, powerful air jet. Assembling with retaining nut. Easy nozzle changing. Simple jet alignment.**

Applications:  
Blowing off liquids, cooling, reheating, drying.

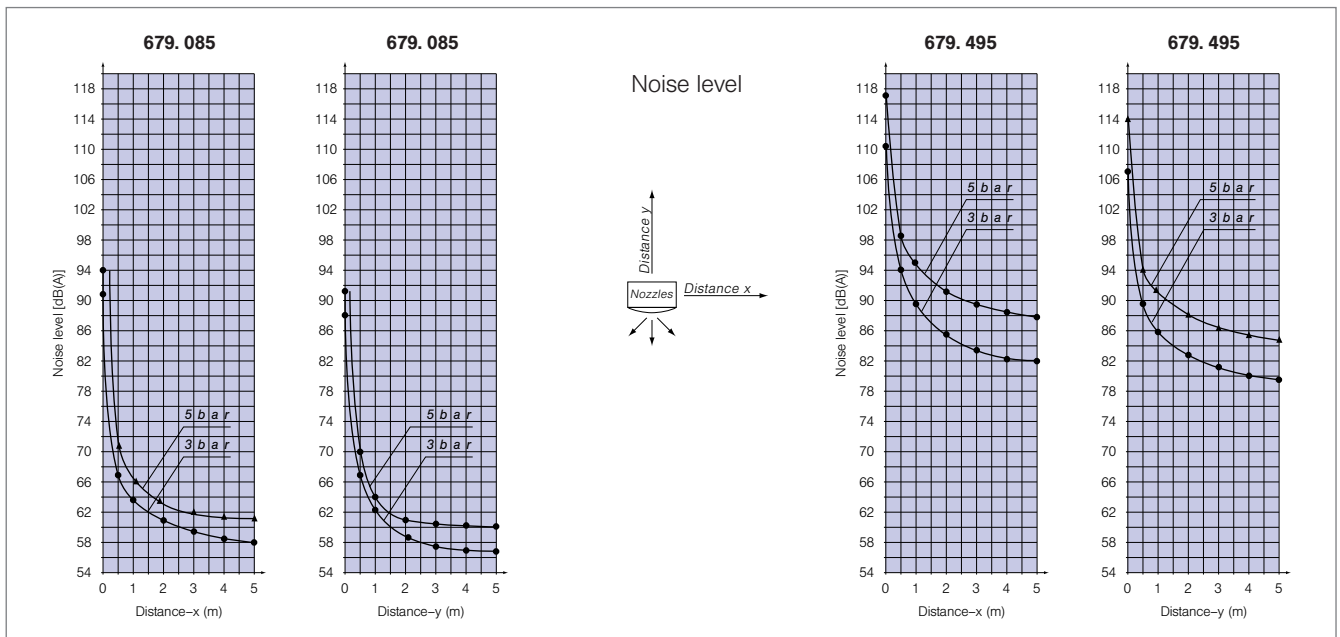


Spray angle	Ordering no.		A Ø [mm]	$\dot{V}_n$ L = Air [m <sup>3</sup> /h] $\dot{M}$ S = Saturated Steam [kg/h]											
	Type	Mat. no.		p [bar]											
				17		30		0,5		2,0		5,0		10,0	
ca. 70°	1,4571/	316 SS	Brass	L	S	L	S	L	S	L	S	L	S		
679. 037	-	○	○	1,2	1,40	0,50	2,60	1,50	5,40	3,20	11,00	6,10			
679. 085	○	○	○	1,3	1,50	0,90	3,00	1,90	6,00	3,70	11,10	6,70			
679. 117	○	○	○	1,5	1,70	1,20	3,50	2,30	7,80	5,10	15,00	9,50			
679. 165	○	○	○	1,8	2,20	1,70	5,30	3,30	10,70	6,60	19,50	11,80			
679. 255	○	○	○	2,1	3,20	2,50	7,90	4,90	15,70	9,70	28,80	17,50			
679. 365	○	○	○	2,8	5,40	4,10	13,10	8,20	26,20	16,10	48,10	29,10			
679. 415	○	○	○	3,6	8,90	6,80	21,70	13,60	43,30	26,70	79,40	48,10			
679. 495	○	○	○	4,3	13,40	10,30	32,80	20,60	65,60	40,40	120,20	72,90			

A = Equivalent bore diameter

The folded page at the end of the catalogue will give you a survey on the various assembly possibilities. For complete assembly accessories, please refer to »Accessories«.

Example for ordering:	Type	+	Material no.	=	Ordering no.
	679. 037	+	30	=	679. 037. 30





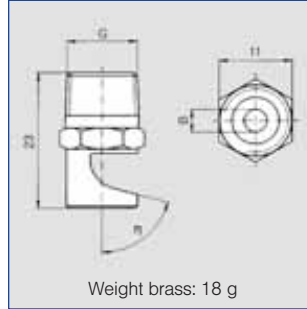
# Tongue-type nozzles for air or saturated steam

## Series 686

### Wide-angle, powerful air jet.

Applications:

Blowing off liquids, cooling, reheating, drying.



Weight brass: 18 g

★ Spray angle	Ordering no.				B [mm]	η	V̇ <sub>n</sub> Air [m <sup>3</sup> /h]				Ṁ Saturated steam [kg/h]			
	Type	Mat. no.		Code			p [bar]				p [bar]			
		16	30				1,0	2,0	5,0	10,0	1,0	2,0	5,0	10,0
		1.4305/ 303 SS	Brass	1/8" BSPT										
Ca. 70°	686.408	○	○	CA	1,0	75°	0,70	1,00	2,10	3,70	0,90	1,30	2,40	4,00
	686.488	○	○	CA	1,3	75°	1,20	1,70	3,60	6,20	1,40	2,10	3,90	6,50
	686.528	○	○	CA	1,5	75°	1,60	2,30	4,80	8,40	1,90	2,80	5,20	8,70
	686.568	○	○	CA	1,7	75°	2,00	3,00	6,30	11,00	2,50	3,70	6,90	11,50
	686.608	○	○	CA	1,9	75°	2,50	3,70	7,80	13,50	3,10	4,60	8,60	14,30
	686.688	○	○	CA	2,4	75°	4,00	5,90	12,40	21,50	4,90	7,30	13,60	22,70
	686.728	○	○	CA	2,7	75°	7,10	10,00	21,20	38,20	5,70	9,20	16,40	29,20
	686.808	○	○	CA	3,4	75°	11,20	16,00	33,70	60,60	9,00	14,60	26,00	46,30

B = bore diameter

The folded page at the end of the catalogue will give you a survey on the various assembly possibilities.

For complete assembly accessories, please refer to »Accessories«.

Example	Type	+	Material no.	+	Code	=	Ordering no.
for ordering:	686.408	+	16	+	CA	=	686.408.16.CA



# Multi-channel round jet nozzles for air

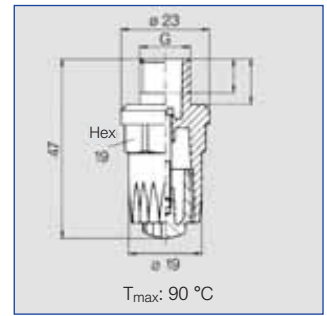
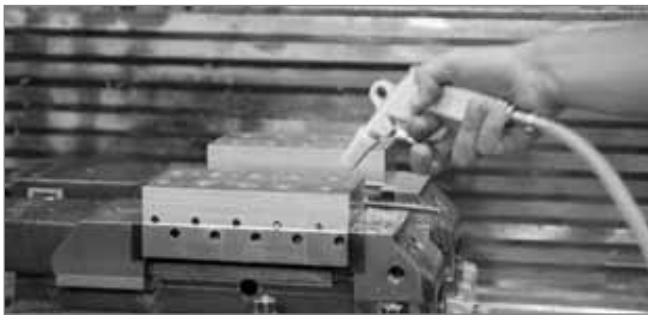
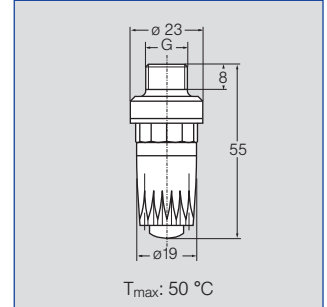
Series 600. 326 / 600.388

Particularly silent !

**Powerful air jet, producing punctiform impact patterns. Low noise level. Low air consumption.**

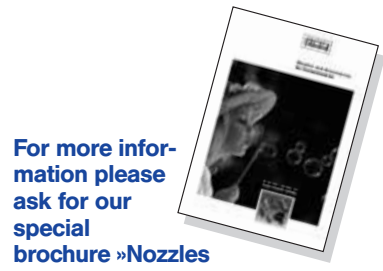
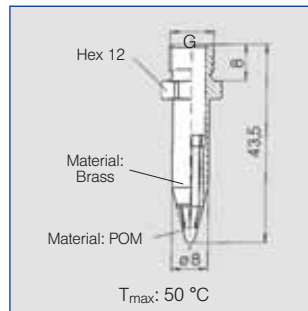
Applications:  
Targeted blowing out and blowing off with compressed air guns.

**Reduction of noise level of up to 12 dB (A).**



**Mini-round jet nozzle. Compact design**

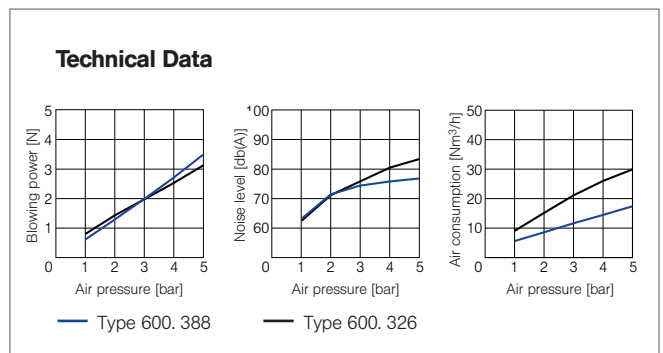
Applications:  
Especially for blowing out pocket holes.



For more information please ask for our special brochure »Nozzles and Accessories for Compressed Air«.

Ordering no.		Connection thread G	Weight
Type	Code		
600. 326. 5K (Material: ABS)	AC	1/4" BSPP	9 g
	HG	M 12 x 1,25	
600. 326. 3W (Material: Zinc)	AC	1/4" BSPP	47 g
	HG	M 12 x 1,25	
600. 388. 30 (Material: Brass/POM)	AA	1/8" BSPP	12 g
	HG	M 12 x 1,25	

**Example for ordering:** Type 600. 326. 5K + Code AC = Ordering no. 600. 326. 5K. AC

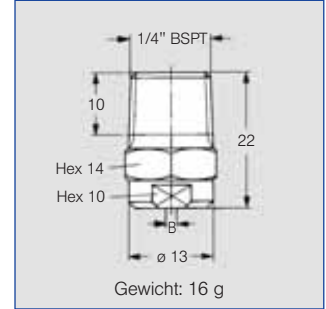
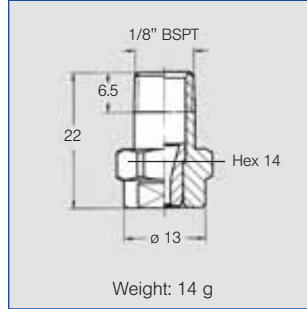




# Solid stream nozzles for air or saturated steam

## Series 544

**Powerful air jet, producing punctiform impact patterns.**  
Applications:  
Targeted blowing out and blowing off.



Ordering no.				B Ø [mm]	$\dot{V}_n$ Air [m <sup>3</sup> /h]				$\dot{M}$ Saturated steam [kg/h]			
Type	Mat. no.	Code			p [bar]				p [bar]			
		16			1	2	3	5	1	2	3	5
	1,4305/ 303 SS	1/8" BSPT	1/4" BSPT									
544. 360	○	CA	CC	1,05	0,80	1,00	1,30	2,00	0,80	1,20	1,50	2,20
544. 400	○	CA	CC	1,30	1,00	2,00	2,40	3,00	1,30	1,90	2,50	3,70
544. 480	○	CA	CC	1,32	1,50	2,50	3,00	4,60	1,90	2,80	3,70	5,50
544. 560	○	CA	CC	1,65	2,50	4,00	5,00	7,50	2,80	4,10	5,40	8,20
544. 640	○	CA	CC	2,09	4,00	6,00	8,00	12,00	5,00	7,20	9,50	14,00
544. 720	○	CA	CC	2,63	7,00	10,00	14,00	21,00	7,40	10,00	13,00	20,00
544. 800	○	CA	CC	3,30	11,00	16,00	21,00	32,00	11,00	16,50	22,00	33,00

B = bore diameter

**Example**    **Type**    +    **Material no.**    +    **Code**    =    **Ordering no.**  
**for ordering:**    544. 360    +    16    +    CC    =    544. 360. 16. CC

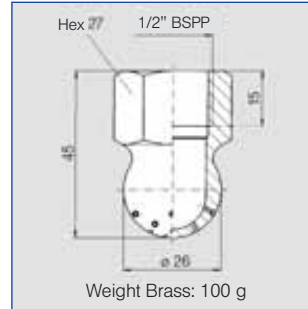



# Cluster solid stream nozzles for air or saturated steam

## Series 540 / 541

### Powerful air jet with 40 individual bore holes.

Applications:  
Injection of steam into liquids,  
injection of compressed air  
into bulk goods, gas injection  
(acid and neutralization  
baths).



 Spray angle	Ordering no.		B ∅ [mm]	$\dot{V}_n$ Air [m <sup>3</sup> /h]				$\dot{M}$ Saturated steam [kg/h]			
	Type	Mat. no. <b>16</b> 1.4305/ 303 SS		p [bar]				p [bar]			
				1,0	2,0	3,0	5,0	1,0	2,0	3,0	5,0
ca. 240°	540. 909	○	0,8	26,20	39,30	52,50	78,70	21,80	32,00	38,20	58,60
	540. 989	○	1,0	41,00	61,50	82,00	102,00	34,00	50,00	59,70	91,50
	541. 109	○	1,5	92,20	138,00	184,00	231,00	76,60	113,00	134,00	206,00
	541. 189	○	2,0	164,00	246,00	328,00	492,00	136,00	200,00	239,00	366,00
	541. 239	○	2,3	217,00	325,00	434,00	651,00	180,00	265,00	316,00	484,00

B = bore diameter

<b>Example</b>	<b>Type</b>	<b>+</b>	<b>Material no.</b>	<b>=</b>	<b>Ordering no.</b>
<b>for ordering:</b>	<b>540. 909</b>	<b>+</b>	<b>16</b>	<b>=</b>	<b>540. 909. 16</b>